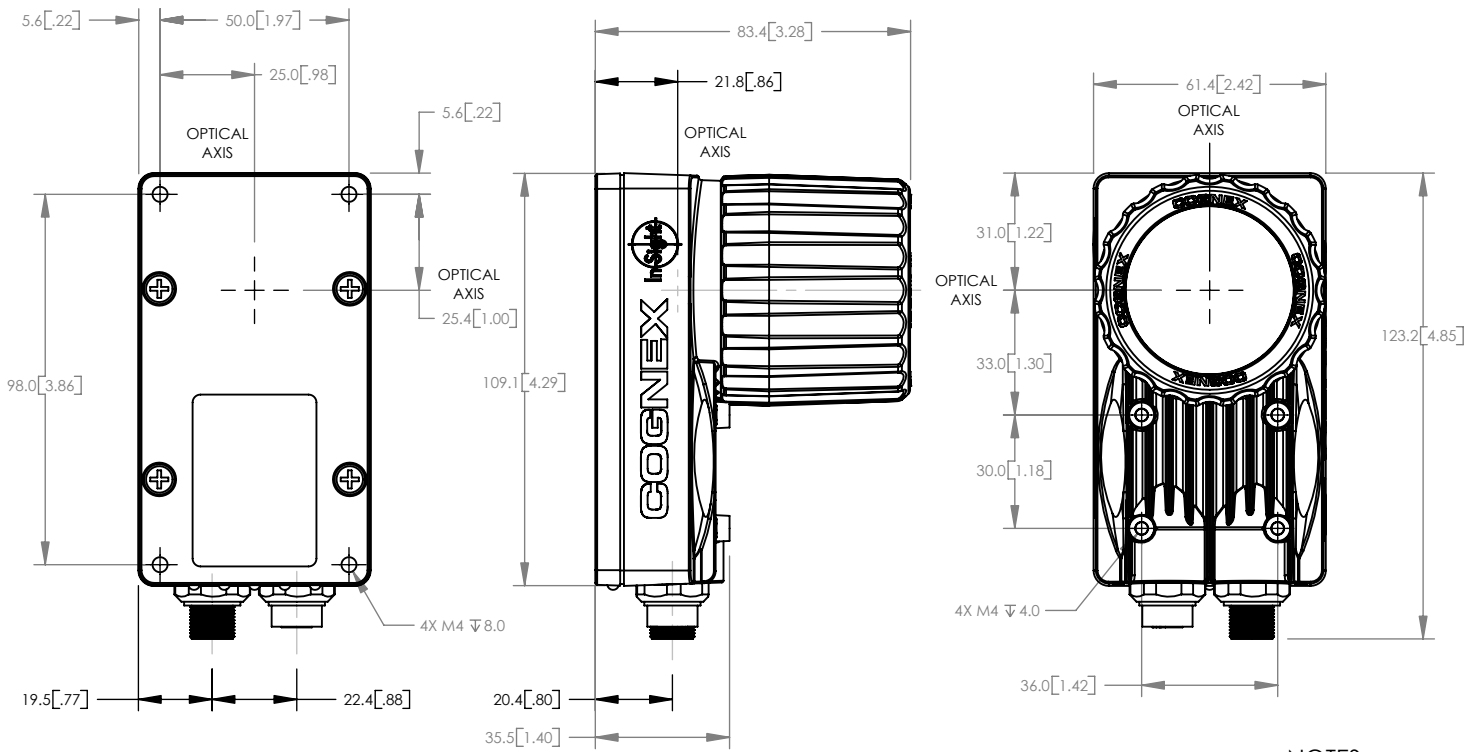


REVISIONS	
DATE	DESCRIPTION
9/13/06	INITIAL RELEASE



NOTES:

1. ALL DIMENSIONS FOR REFERENCE PURPOSES ONLY.
2. ALL SPECIFICATIONS MAY CHANGE WITHOUT NOTICE.
3. SEE COGNEX DRAWING IS001-01 FOR DIMENSIONS RELATED TO THE C-MOUNT AND LENS COVER MOUNT.

<b>DIMENSIONS:</b> UNLESS OTHERWISE SPECIFIED, DIMENSIONS ARE DISPLAYED IN MILLIMETERS [INCHES]	<h1>COGNEX</h1>		NATICK, MA 01760 <a href="http://www.cognex.com/support/In-Sight.asp">www.cognex.com/support/In-Sight.asp</a>
	<b>MATERIAL:</b> HOUSING: PAINTER ALUMINUM	<b>APPLIES TO:</b> <b>IN_SIGHT 5000, 51XX, 54XX, 5400C</b>	
<b>TOLERANCES:</b> X.X[X.XX]: ± 0.25[.010] X.XX[X.XXX]: ± 0.13[.005] ANGULAR: ± .5° GEOMETRIC TOLERANCES PER ASME Y14.5M-1994	<b>CONNECTORS:</b> SST	<b>COVER:</b> PLASTIC	
<b>SCALE:</b> 1:1	<b>DOC NO:</b> IS001-03	<b>REL DATE:</b> 9/13/06	